

Solo® Plus

Centrifugal Bathroom/ Toilet Fan



Features & Benefits

- **Filterless as standard - innovative impeller design means no need for a filter**
- **Meets current Building Regulations Approved Documents F & L requirements for domestic bathrooms and toilets**
- **IPX4 rated**
- **Flush or surface mountable**
- **Adjustable rear or side exit spigot**
- **Extremely low sound levels**
- **Suitable for wall, ceiling and panel mounting**

Bathroom and Toilet Ventilation

The Solo Plus range from Vent-Axia has been specially designed for through the wall and ducted applications, suitable for internal bathrooms, toilets and other small rooms. Finished in white, the Solo Plus can be flush or surface mounted, with a 100mm circular spigot for rear entry or connecting to a vertical ducting system. The spigot can also be adjusted for side ways exhaust enabling recessed ceiling installations within limited ceiling voids. The powerful centrifugal impeller allows for installations with longer duct runs using 100mm ducting, whilst still achieving 15 l/s as required by Document F of the current Building Regulations.

Continuous running products, such as the Solo Plus installed in all wet areas of a dwelling are classed as a wholehouse ventilation system and therefore, only needs to move the amount of air as laid down in table 1.1b of Document F.

The Solo Plus has a choice of two boost/override motor speeds set at installation, medium (17l/s) or high (22l/s), with an optional constant trickle speed (9l/s), also selectable at installation except in the P model. Depending on the model, the fan will switch from trickle (if selected) to boost (medium or high) via the pullcord/light switch/humidity sensor/PIR.

All models can be wall, panel or ceiling mounted and can be connected to either circular, rectangular or Vent-Axia's flat ducting. Enclosure of the electrical components is manufactured from flame retardant grade material.

Supply voltage 220-240V/1/50Hz.

Models

Solo Plus P (Pullcord)

Flush or surface mountable. Control by pullcord single speed; 1 of the 3 speeds selectable at installation.

Stock Ref
427477

Solo Plus T (Timer)

Flush or surface mountable. Constant trickle option. 2 Speed. Adjustable timer overrun. Delay on timer option.

Stock Ref
427478

Solo Plus HT (Humidistat-timer)

Flush or surface mountable. Humidity controlled fan with override pullcord. Constant trickle option. Adjustable timer overrun. Delay on timer option. Adjustable humidity sensor.

Stock Ref
427479

Solo Plus TM (Timer/PIR)

Flush or surface mountable. Control by integral PIR detector. Constant trickle option. 2 Speed.

Stock Ref
427480

Solo Plus Bezel

Used when flush mounting, reduces need to make good.

Stock Ref
404106

Accessories

Wall Kit

Stock Ref

254102 (White)

254100 (Brown)

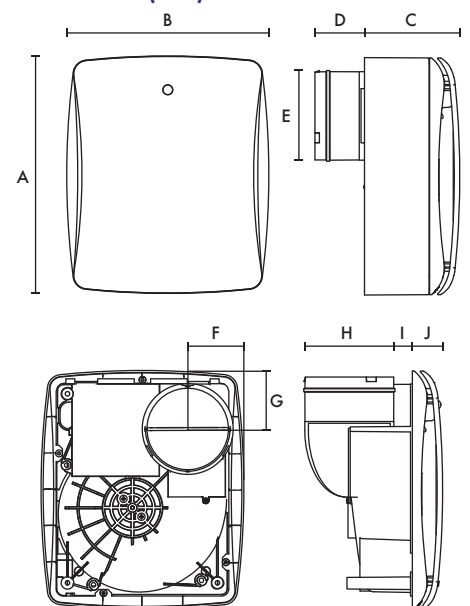
Filter pack (1 per pack)

The design of the Solo Plus means that it does not need a filter. However, if you are going to install the product in a heavily greasy environment, you may want to protect the product by fitting a filter.

Stock Ref

449265

Dimensions (mm)



A	B	C	D	EØ
263	224	106	55	98
F	G	H	I	J
62	65	98	21	34

Performance

Model	Extract Performance l/s (m³/h) - FID			Watts			dB(A) @ 3m		
	Max Boost	Min Boost	Trickle	Max Boost	Min Boost	Trickle	Max Boost	Min Boost	Trickle
Solo Plus P/T/HT/TM	22 (80)	17 (61)	9 (32)	171	10.9	6.3	34.5	24	11.5

Tested at 240VAC @ 50Hz